

Service Information

Already published Service Informations:

CORRECTION TO SERVICE MANUAL

Below are corrections that have to be made on the parts list and circuit diagram:

* During production (around wk150) a new DVD Main Board is introduced due to introduction of IC STi5519 which replaces IC STi5505. Due to this modification the following changes must take place simultaneously:

- a) New Instruction For Use 9965 000 12051
- b) Front Board's uProcessor U5 9965 000 12047
- c) DVD Main Board (STi5519) 9965 000 12052

The new DVD Main Board can be recognized by the print mark "55-5938014-10-02" on the board.

Likewise if the DVD Main Board has to be replaced, please ensure the correct uProcessor U5 is in placed.

A new Chapter 9A for the DVD Module is attached for reference only. It is recommended to replace the defective board, therefore no parts list is included.

DVD MODULE

(For Information Only)

It is not recommended for component repair on this Module but to replace the major assembly when it becomes defective. Therefore no service parts list are published in this Chapter.

The Circuit & Layout diagrams are published for reference only. The repair assistance on DVD section is given on Chapter 2.

SERVICING THE DVD MODULE

The only service parts available for replacement are:

DVD Main Board (STI5519) 9965 000 12052

DVD Mechanical Loader TVM502T 9965 000 10185

Reprogramming of the DVD Main Board

Caution: *This information is confidential and may not be distributed. Only a qualified service person should reprogram the DVD Main Board.*

After replacement of the DVD Main Board, the customer settings and also the region code will be lost. Reprogramming of the DVD Main Board will put the player back in the state in which it has left the factory, ie. with the default settings and the allowed region code

Reprogramming is done by way of the Remote Control as given below:

1. With the unit on and no disc in the tray press **DVD** key
2. Press **Menu** key
3. Press numerical keys <1> <6> <7>
4. Press any one numerical keys between <1> and <6> as per Region codes given in the table below
5. Press **Exit** key.

Message displayed on TV screen

Setup Menu is displayed
"Key 1 - 6 for Region: is displayed

Selected region code is displayed

Type/version	Destination	Region Code*
MX1015D/37	USA	1
MX1050D/22	Europe	2
MX1055D/37S	USA	1
MX1060D/22S	Europe	2

* Note: The Region code may differs in some countries, in such case the Region code of the country should be used.

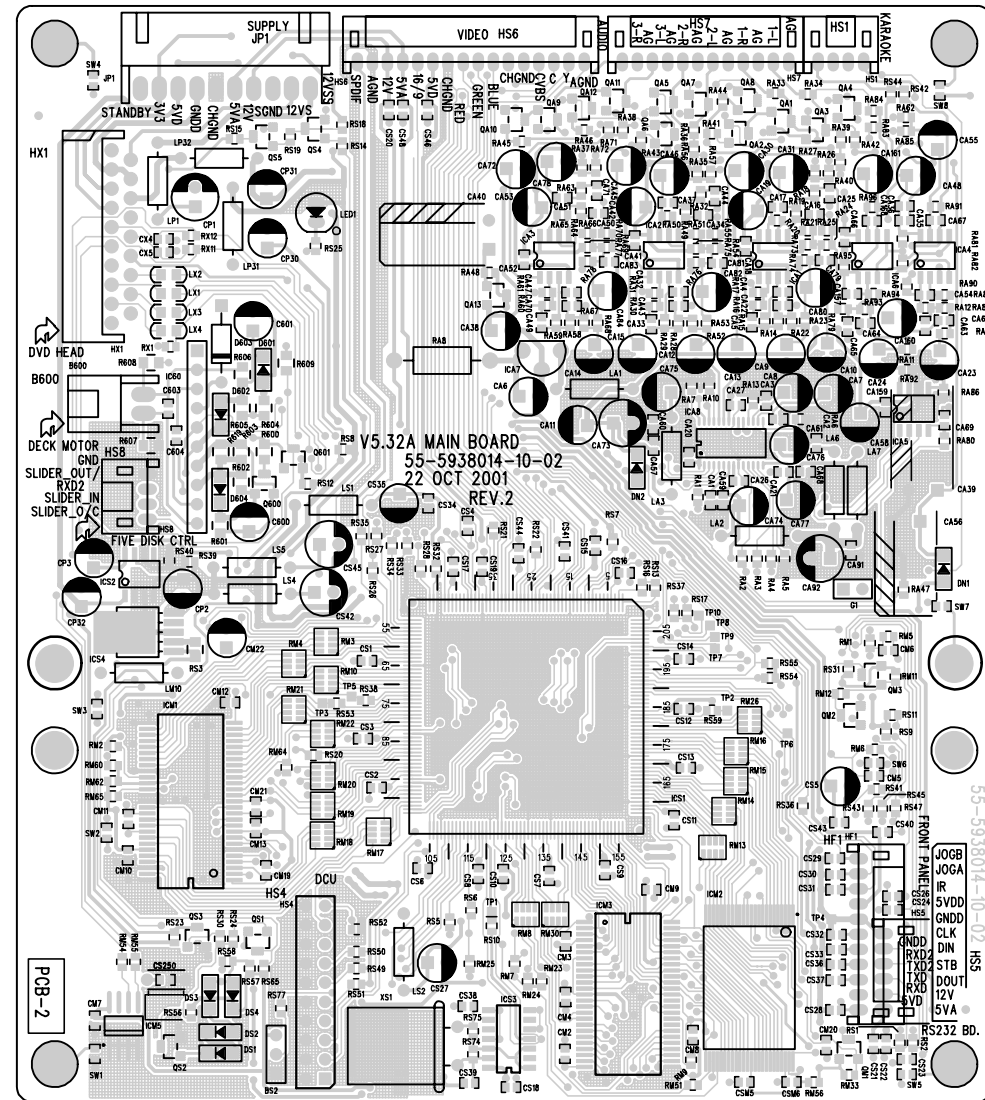
Upgrading of DVD software by way of an Upgrade Disc and Remote Control as given below:

Message displayed on TV screen

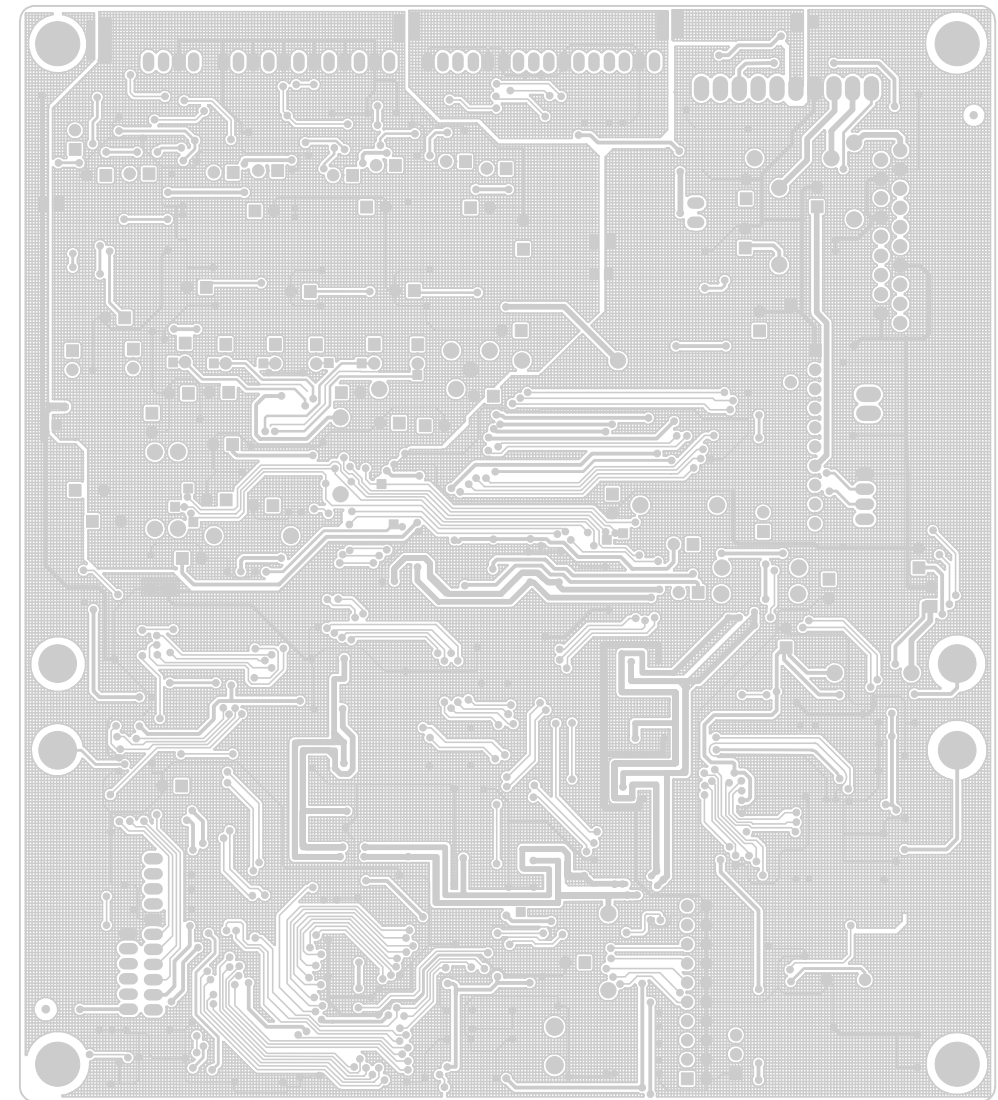
1. With the unit on and no disc in the tray press **DVD** key
2. Press **Eject** key to open the tray
3. Press **Menu** key
4. Press numerical keys <7> <6> <0>
5. Press numerical keys <1>
6. Insert upgrade disc and press **Eject** key to close tray
7. The set starts reading upgrade disc
8. Press **Power** key to bring the set into Standby mode.
9. Remove the upgrade disc by power-up the set & eject to open tray.

Setup Menu is displayed
"Update Software 1/Yes, 2/No" is displayed
"Yes" is displayed briefly after which the message disappear
"Color bars" is displayed when ready

DVD MAIN BOARD - TOP VIEW



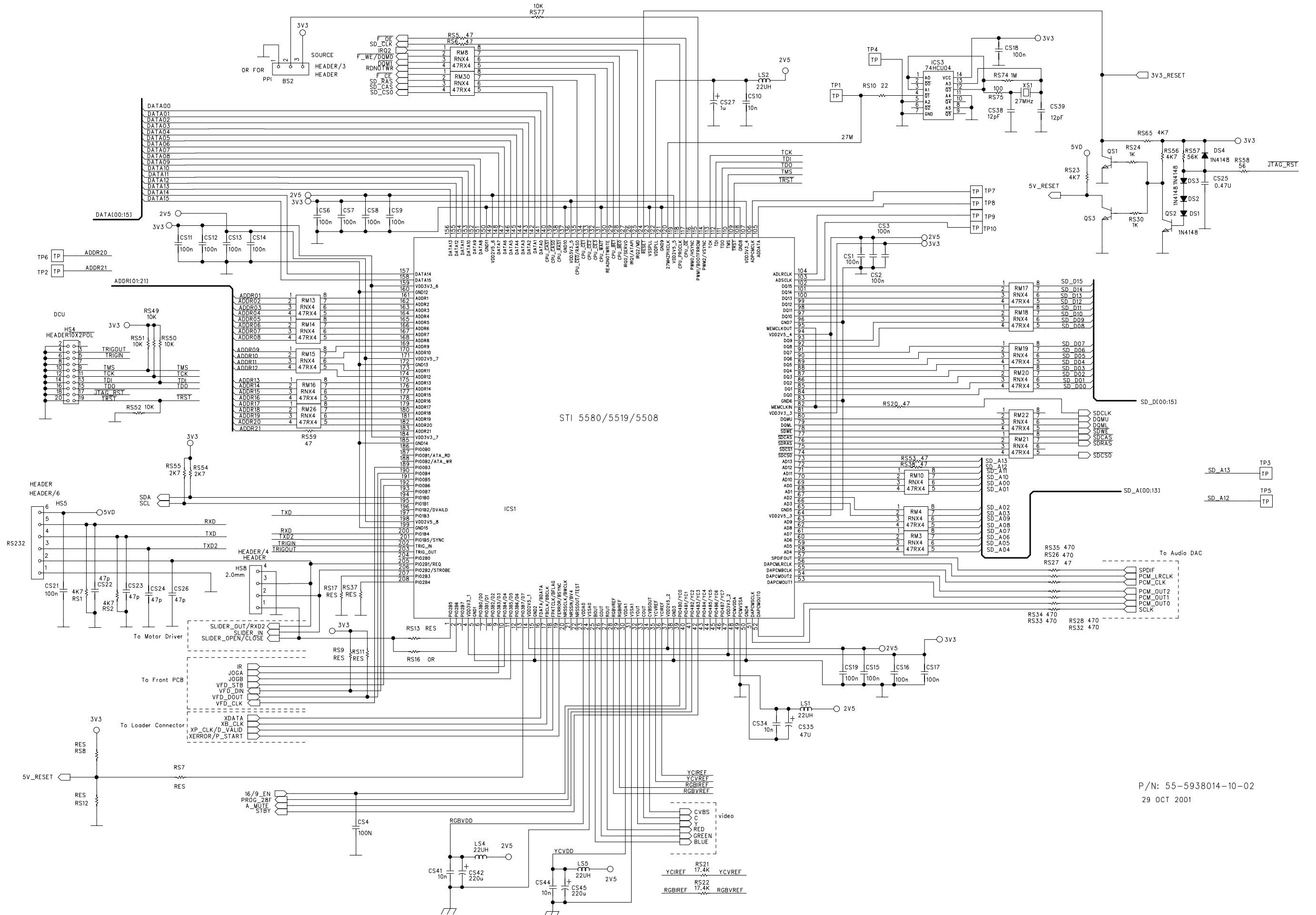
DVD MAIN BOARD - BOTTOM VIEW



DVD CIRCUIT 1

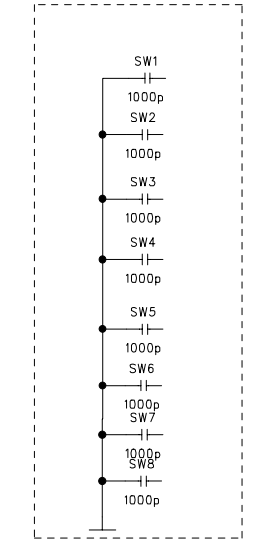
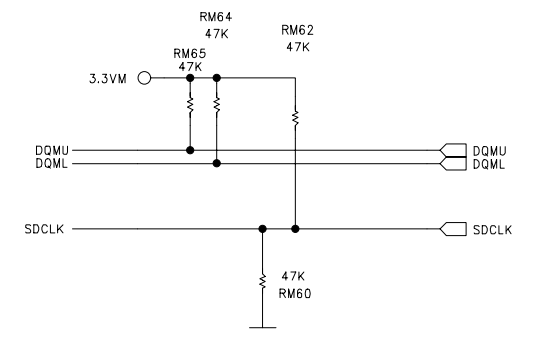
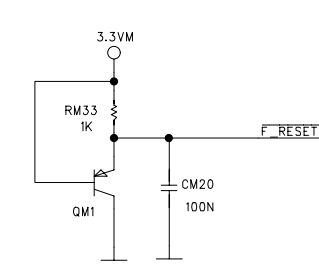
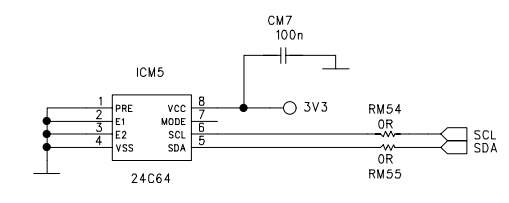
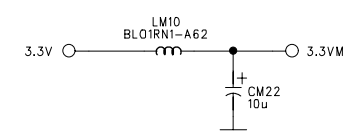
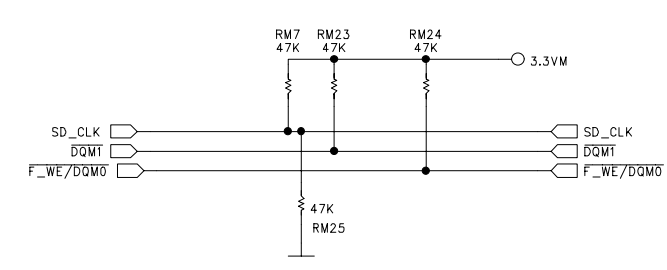
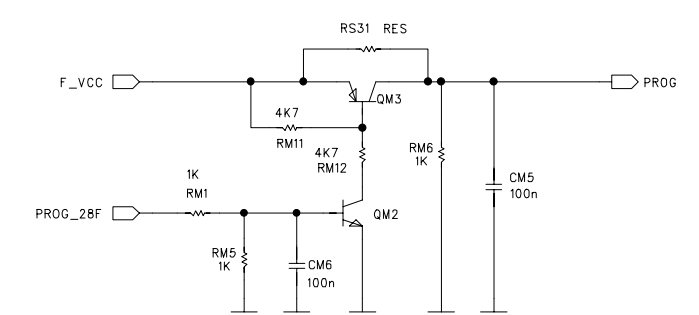
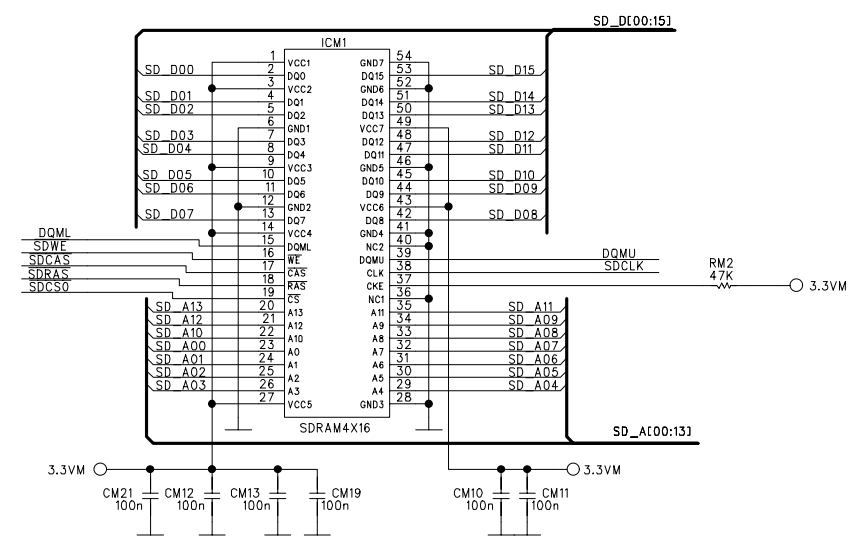
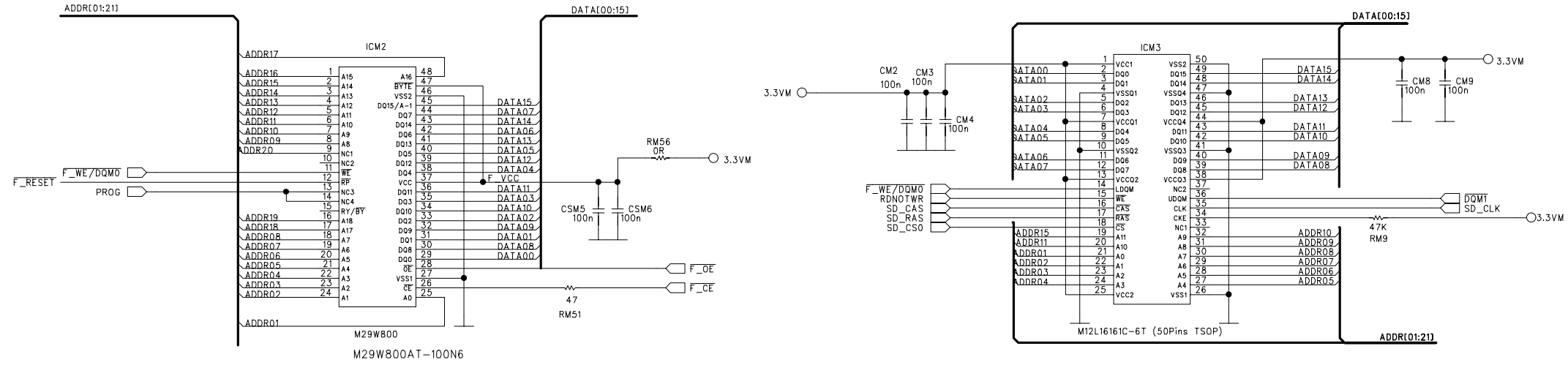
9A-3

9A-3



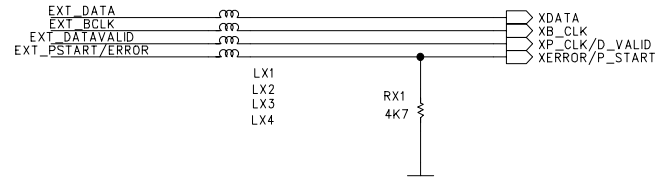
P/N: 55-5938014-10-02
29 OCT 2001

DVD CIRCUIT 2

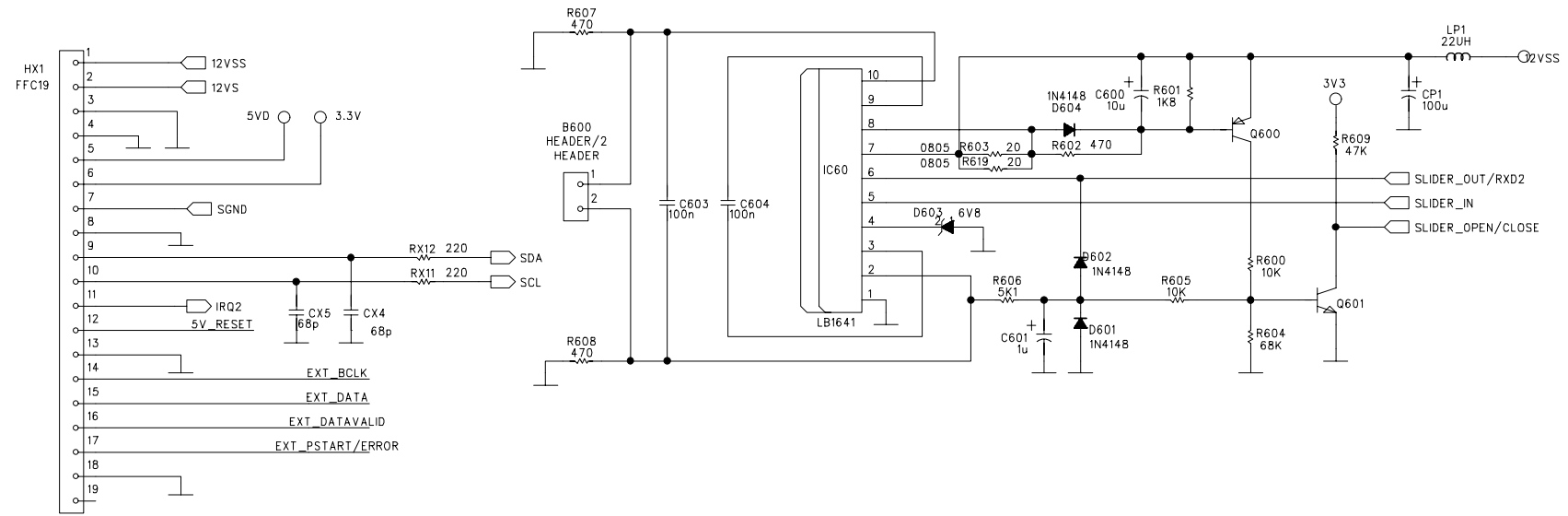


DVD CIRCUIT 3

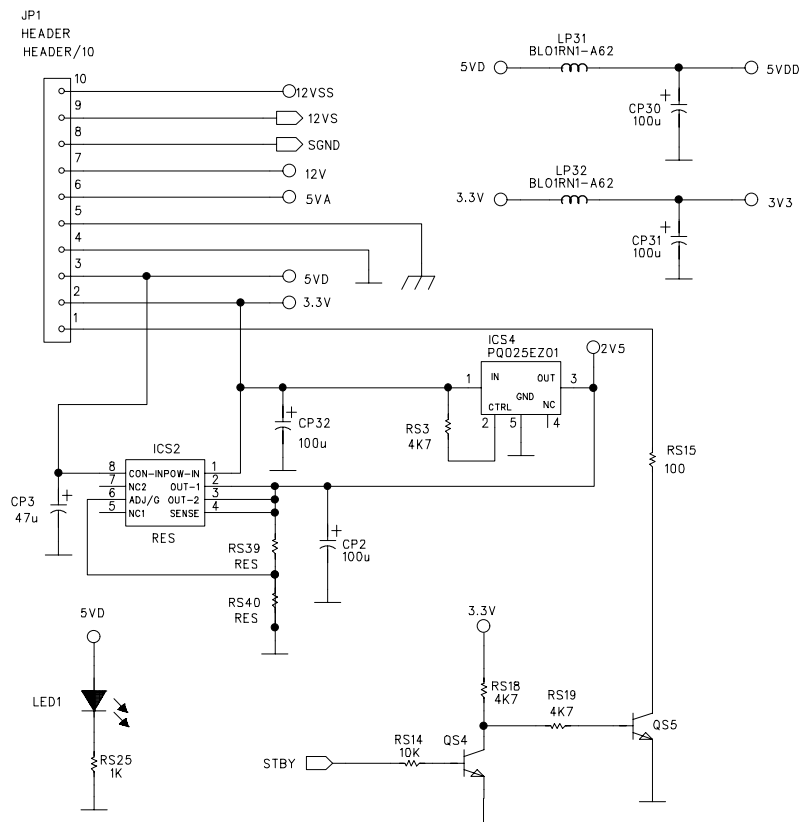
TRANSPORT STREAM MULTIPLEX



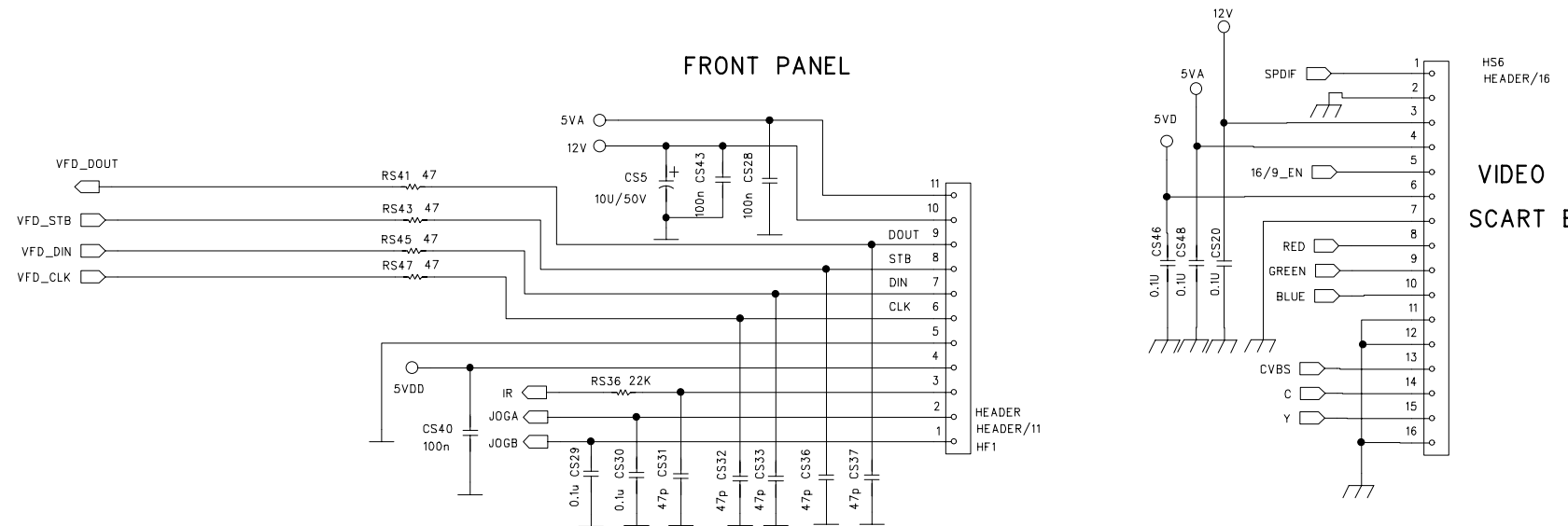
INTERFACE TO DVD FRONT-END



POWER SUPPLY AND STANDBY



FRONT PANEL



P/N: 55-5938014-10-02
29 OCT 2001

DVD CIRCUIT 4

